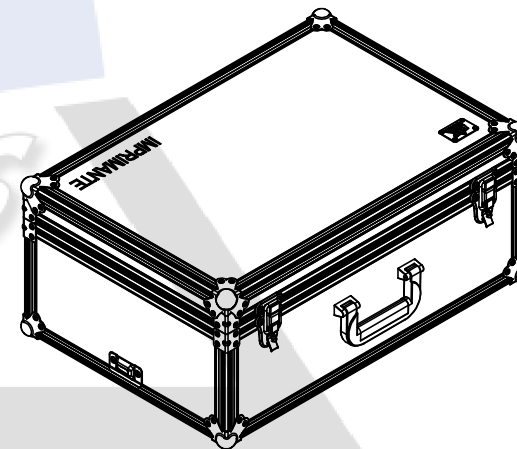


Interior dimensions		
Width	Depth	Height
366	275	170
Weight	Approx. 7 Kg	
Wall Thickness		7mm
Hardware		
Qty	Ref.	Description
4	B1925Z	Medium corner-brace zinc plated 1,0mm
8	C1345Z	Small ball corner - 3 leg - zinc plated
4	B1925	Medium corner-brace zinc plated 1,0mm
4	F1694	Rubber foot 20 x 9 mm, black
2	L0564N	Large padlocking drawbolt
2	P1995	HEAVY DUTY STRUT HINGE WITH BLACK PLATE
1	H1432	Chrome plated plastic with soft black plastic insert
2	1632KEEP	Surface mount keeper plate
4	F1686/25	38 mm rubber foot black with steel insert. Height: 20 mm.



Reference	V302002.2	
Drawn by	CoolerMaster	
Date	31/05/2017	
Scale 1:7	units in mm	general tolerance
	DO NOT SCALE	1mm
FC, 1x IMPRIMANTE CP-+BAC CABLES		

